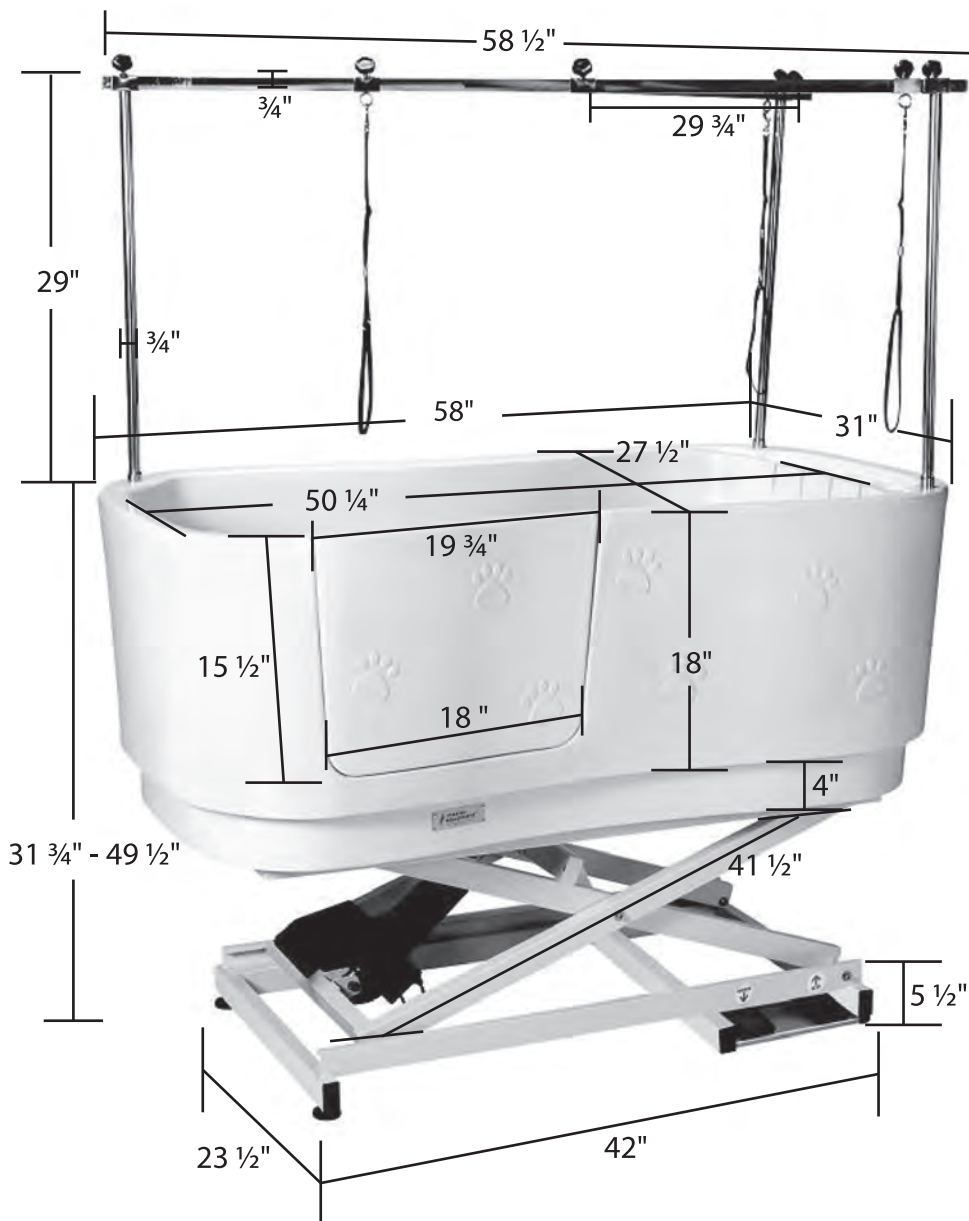


# TP5856 11, TP5856 19, & TP5856 79

## Master Equipment PolyPro Lift Grooming Tub



### Accessories Included:

- Y-Shaped Grooming Arm
- 20" Grooming Loop Black (3)
- Leg Levelers (4)
- Tub Platform
- Tub Drain
- Drain Hose

### Materials & Color:

- Tub Basin: 2" thick ivory polyethylene.
- Tub Base: 17 gauge, 1.4mm thick steel. Powder-coated ivory finish.
- Grooming Arm: 18 gauge, 1.2mm thick type 304 stainless steel. Knobs are black polypropylene. Screws are galvanized iron.
- Foot Pedals: Iron with black rubber.
- Tub Platform: 1" thick black polyethylene plastic.
- Tub Drain: Standard kitchen sink strainer—3/4" diameter. Tub drain, basket, cover, and slip nut is polyethylene. Gasket is black polyurethane.
- Drain Hose: Hose length is 6 3/4", outside diameter is 1 3/4", and inside diameter is 1 1/2". Hose is black polypropylene. Clamp is aluminum.

### Drain & Plumbing:

- Drain: 4 3/4" predrilled drain hole. Center of drain from front wall 10 1/2", center of drain from back wall 10 1/2", center of drain from side wall 8 1/2".

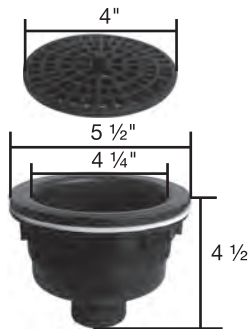
### Voltage & Power:

- Rated Power: 85Watts
- Input Voltage: 110Volts
- Output Voltage: 36Volts

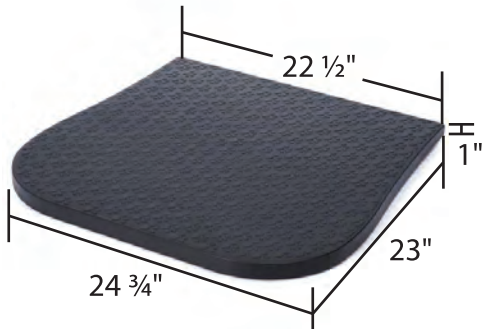
### Other Features:

- Weight Capacity: 220 lbs.
- Rate of Descent: 69 inches/second
- Rising Rate: 0.6 inches/second

Tub Drain



Tub Platform



Drain Hose



Length: 6 3/4" extends to 7.5'