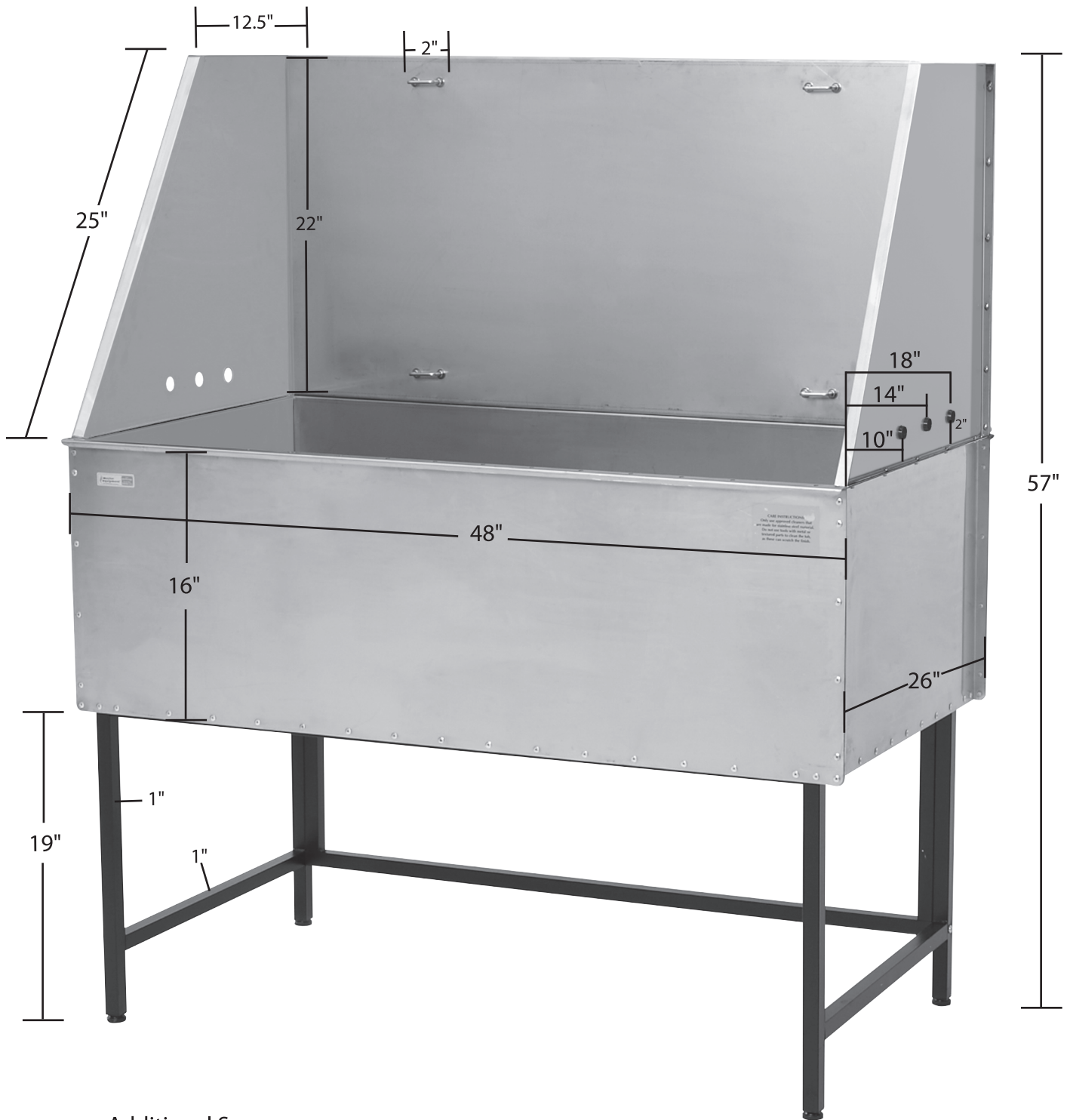




TP359 48 87 • Master Equipment Everyday Pro Deluxe Grooming Tub 48 In Stainless Steel



Additional Specs:

Inside Basin is D 15.125" x 46.375" L x 24.125" W

Center of drain is 5.5" from side wall, 12" from back wall,
12" from front wall

Accessories Included:

- Tub Rack (H-I)
- Shampoo Rack (G)
- Caulking Gun (M)
- Leg Levelers (4)
- Plumbing Hole Plugs (6)

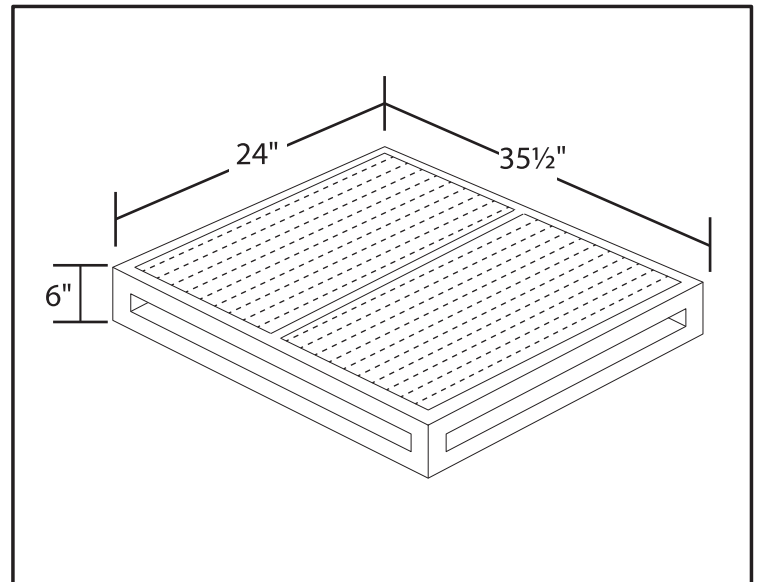
Materials & Color:

- Tub Basin: 18 gauge, 1.2mm thick, type 304 Stainless Steel.
- Backsplash: 21 gauge, 0.8mm thick, type 304 Stainless Steel.
- Tub Legs: 21 gauge, 0.8mm thick steel with a powder-coated black finish. Leg levelers are zinc-plated steel with black polypropylene caps.
- Shampoo Rack: White vinyl-coated steel.
- Tub Rack: Grates are white polyethylene. Frame is 23 gauge, 0.7mm thick, type 304 Stainless Steel.
- Plumbing Hole Plugs: Black Nylon PA 66 Plastic.
- Grooming U-Hooks: 6 gauge, 5.2mm thick, type 304 Stainless Steel.
- Screws and Nuts: Nuts and standard bolts are Stainless Steel. Hex bolts are nickel plated steel.

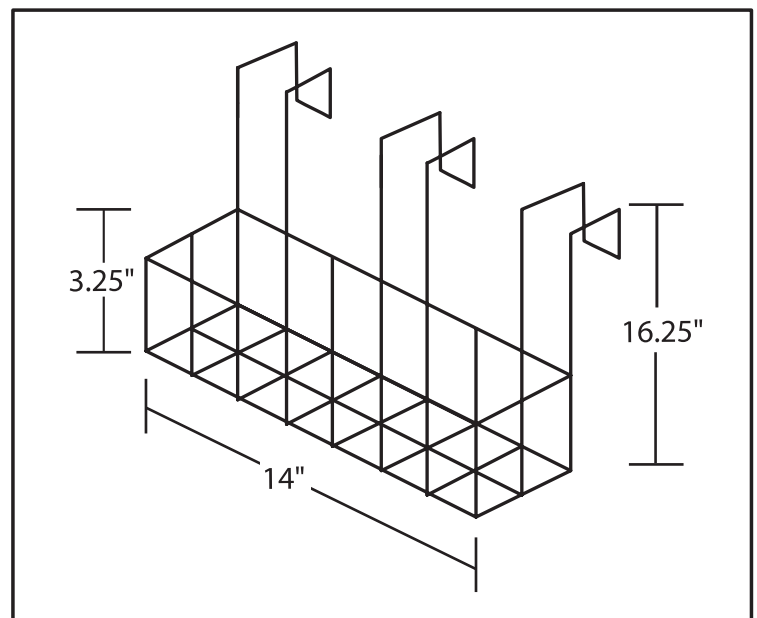
Drain & Plumbing:

- Drain: 3¼" pre-drilled drain hole.
- Center of drain from front wall 12"
- Center of drain from back wall 12"
- Center of drain from side wall 5½"

Tub Rack



Shampoo Rack

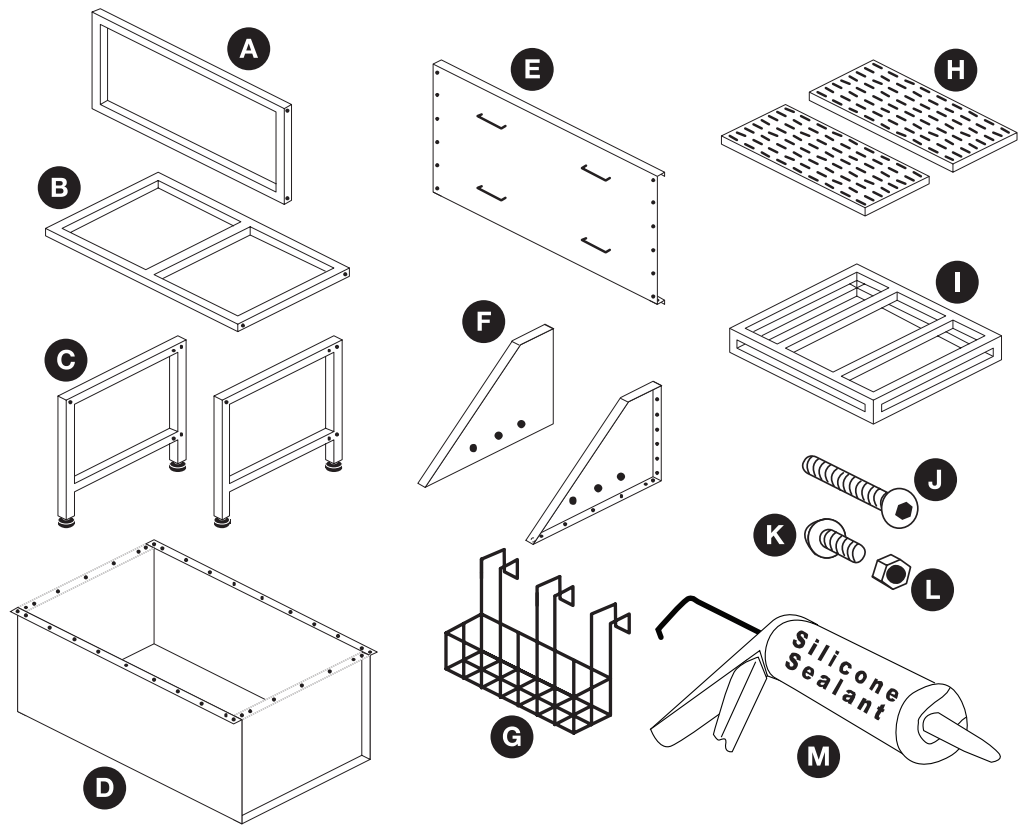


Parts List:

- (A) Rear Stand (1)
- (B) Top Stand (1)
- (C) Stand Sides (2)
- (D) Tub Basin (1)
- (E) Tub Backsplash (1)
- (F) Tub Side Splashes (2)
- (G) Shampoo Rack (1)
- (H) Tub Rack Tiles (2)
- (I) Tub Rack Stand (1)
- (J) Hex Bolts (8)
- (K) Standard Bolts (35)
- (L) Nuts (35)
- (M) Silicone Glue Sealant and Gun (1)

Tools Needed:

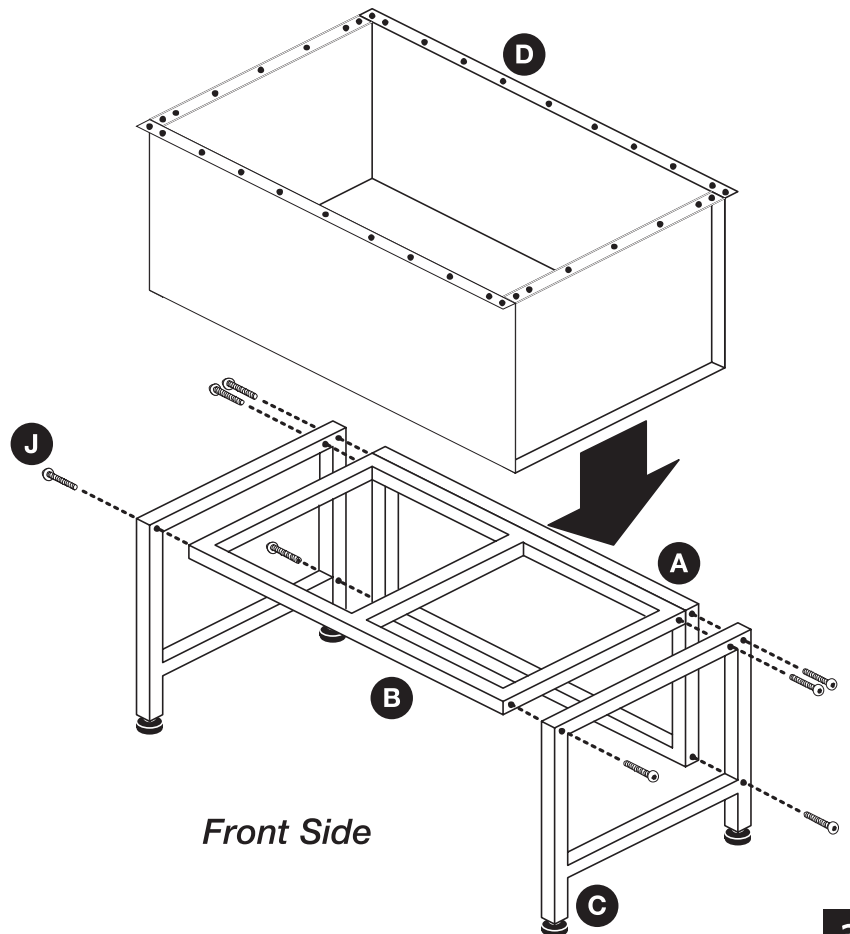
- Hex Wrench
- Phillips Head Screwdriver
- Pliers



Assembly: (steps 1-3)

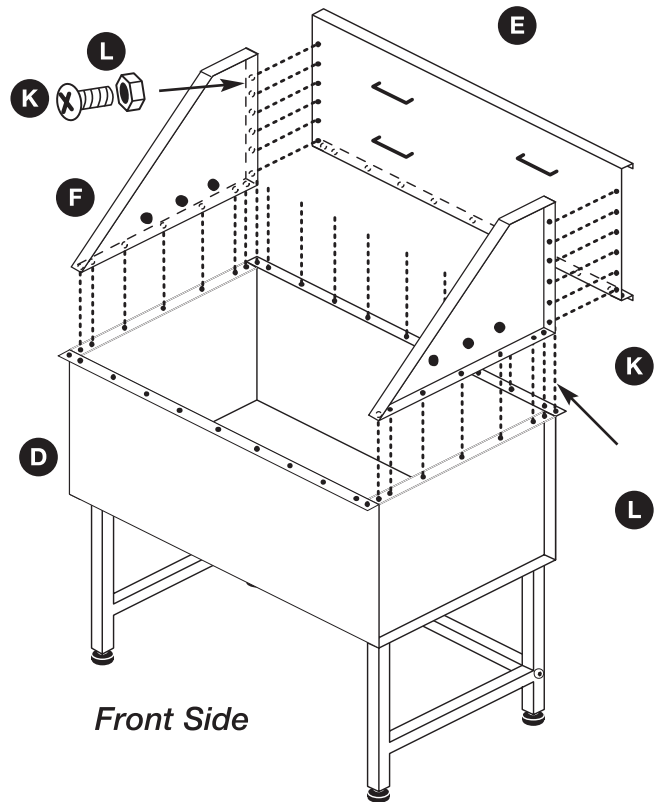
1. Bolt one side stand (C) to rear stand (A) with two hex bolts (J); repeat for other side of stand.
2. Bolt the top of the stand (B) to assembled sides with two hex bolts (J); repeat for the other side.
3. Lower the tub basin (D) onto the assembled stand.

Note: The tub can be positioned so the drain hole is on the left or right.



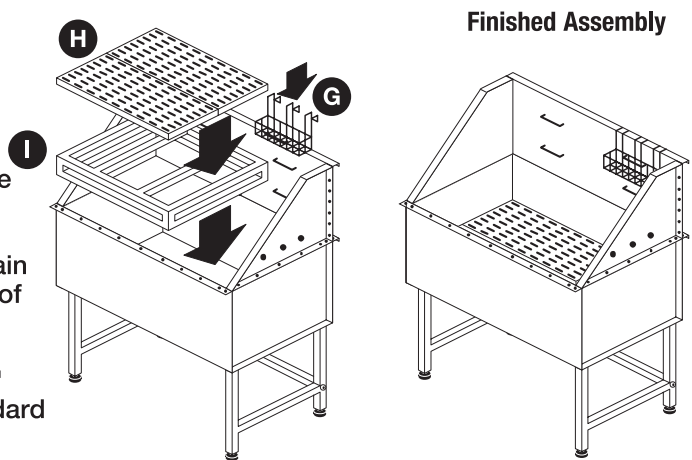
Assembly Continued: (steps 4-9)

4. Choose what side of the basin you want the backsplash (E) to be on.
5. Lay a thin bead of silicone sealant (M) along the bottom edge of one side splash (F) and side of tub basin (D). Bolt the bottom of one side splash (F) to the tub basin (D). Use a standard bolt (K) and nut (L) in every pre-drilled hole.
6. Lay a thin bead of silicone sealant (M) along the front sides and the bottom edge of the back-splash (E). Bolt the backsplash (E) to the attached side splash (F) and to the tub basin (D). Use a standard bolt (K) and nut (L) in every pre-drilled hole.
7. Lay a thin bead of silicone sealant (M) along the bottom edge of the other side splash (F) and side of tub basin (D). Bolt the side splash (F) to the tub basin (D) with remaining standard bolts (K) and nuts (L), using one in every hole.
8. The tub basin comes pre-sealed with silicone. For extra leak protection, add another layer of silicone along all seams and corners of the basin, sides, and back splashes prior to use.
9. Remove excess silicone from all seams, making sure the silicone has completely filled the gaps. Allow silicone to dry completely before use.



Assembly Continued: (steps 10-13)

10. Put the tub rack stand (I) into the tub basin (D) and add tub rack tiles (H) to top of stand.
11. Hang the shampoo rack (G) onto the back of the backsplash using hooks on back of rack.
12. Adjust leveling feet on the stand to have the drain approximately $\frac{1}{8}$ " lower than the opposite side of the tub. This allows water to drain better.
13. Install plumbing as needed. Faucet holes are 4" and 8" on center, and the tub takes a $\frac{3}{4}$ " standard sink strainer.



CARE INSTRUCTIONS

Rinse thoroughly after bathing pet. Make sure tub is clean and dry after use. Clean with mild soap or a stainless-steel approved cleaner only. Do not use harsh or abrasive cleaners, bleach, or tools with metal or textured parts. These can scratch or damage the tub.

LIMITED WARRANTY

This Master Equipment™ Everyday Pro Deluxe Tub is warranted against defective material or workmanship for one year from the date of purchase. Any Master Equipment™ product that is determined to be defective in material or workmanship during the warranty period will be replaced without cost to the purchaser for parts or labor. Please contact Boss Pet Products Customer Service at 1-800-638-5754 regarding any defective product. Boss Pet Products will not be liable under this warranty for any defect, failure or malfunction of this product caused by normal wear, abuse, misuse, unauthorized adjustments or repairs. Boss Pet Products will not be liable for any incidental or consequential damages of any type. Any implied warranty is limited to the one-year period provided in this express warranty. Some states do not allow limitations on how long an implied warranty lasts or exclusion or limitation of incidental or consequential damages, so the above limitations or exclusions may not apply to you. Warranty is void if product has been modified in any manner, repaired by anyone other than Boss Pet Products or has been subject to unreasonable use. Warranty is valid in the United States.

Date Purchase: _____

TP359 48 87 Master Equipment Everyday Pro Deluxe Tub

Manufactured for
©Boss Pet Products, Inc.
Danvers, MA 01923
MADE IN TAIWAN