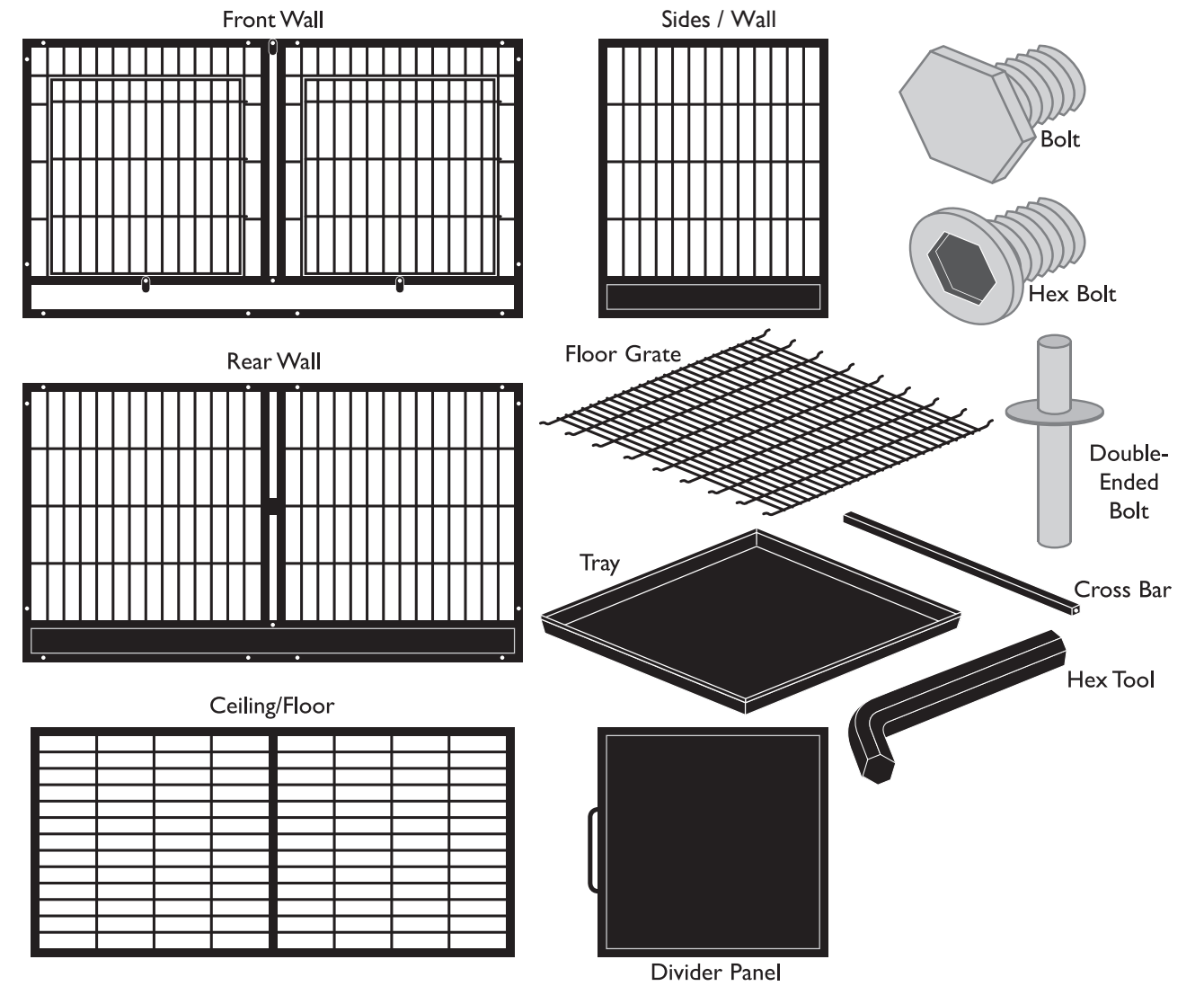
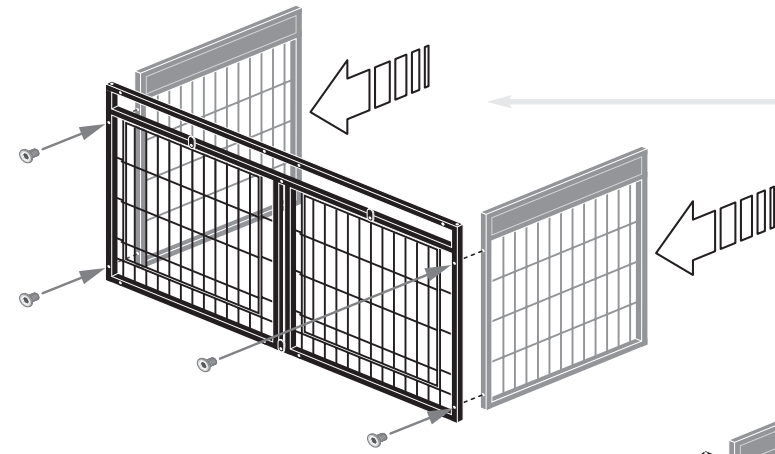


Parts List:



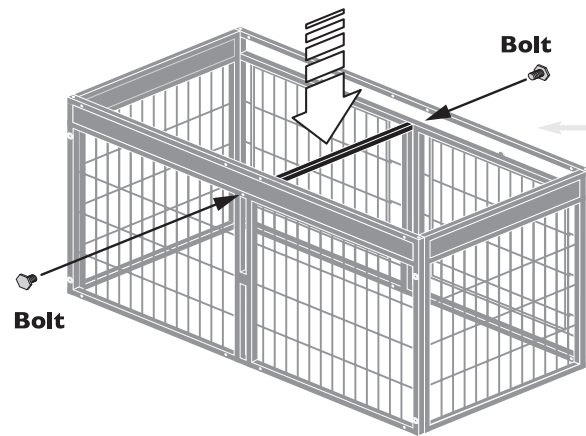
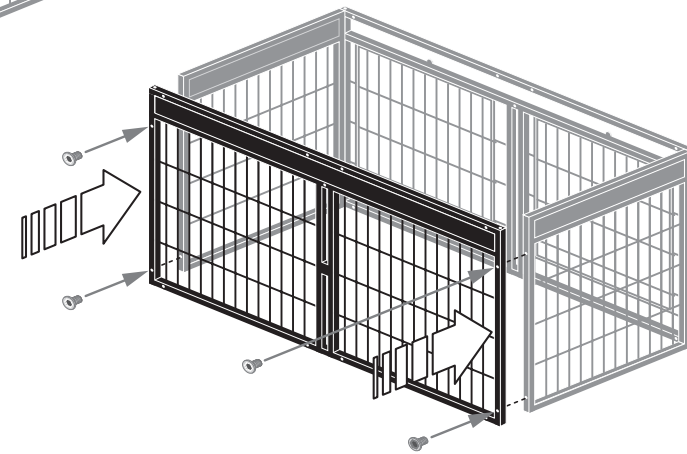
Front Wall	(1)	Floor Grates	(2)
Rear Wall	(1)	Hex Bolts	(24)
Ceiling/Floor	(2)	Bolts	(2)
Sides/Wall	(2)	Double-Ended Bolts	(4)
Divider Panel	(1)	Hex Tool	(1)
Cross Bar	(1)		
Trays	(2)		

Modular Cage Assembly Instructions



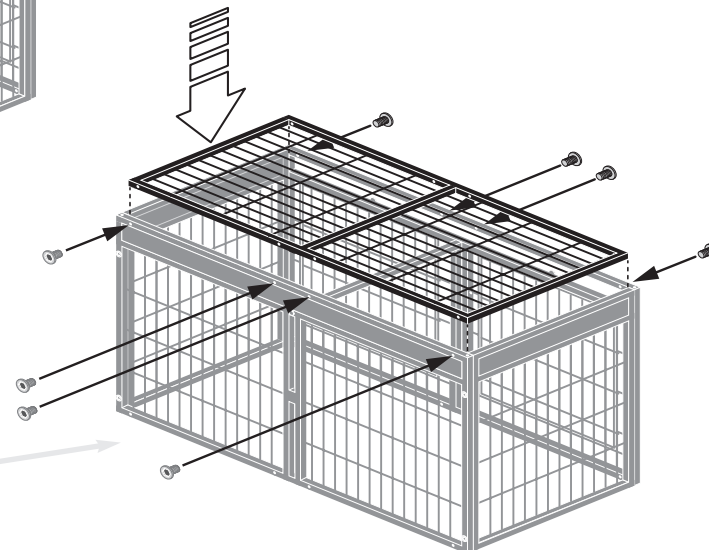
Step 1:
With front wall (upside down), attach side walls (also upside down) with 4 hex bolts.

Step 2:
Attach rear wall (upside down) to side walls using 4 hex bolts.



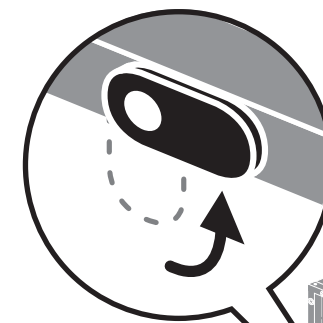
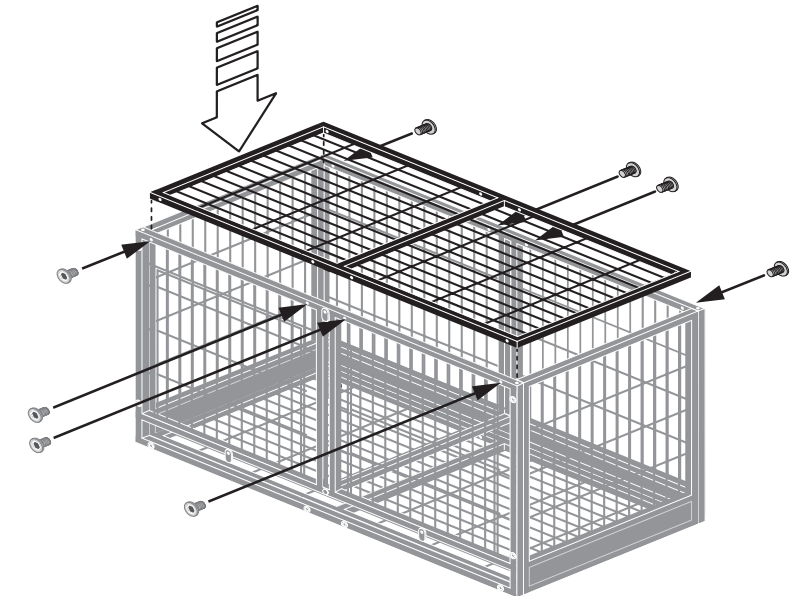
Step 3:
Attach the cross bar using 2 bolts and a wrench. (not included)

Step 4:
Lower floor into frame and attach with 8 hex bolts.

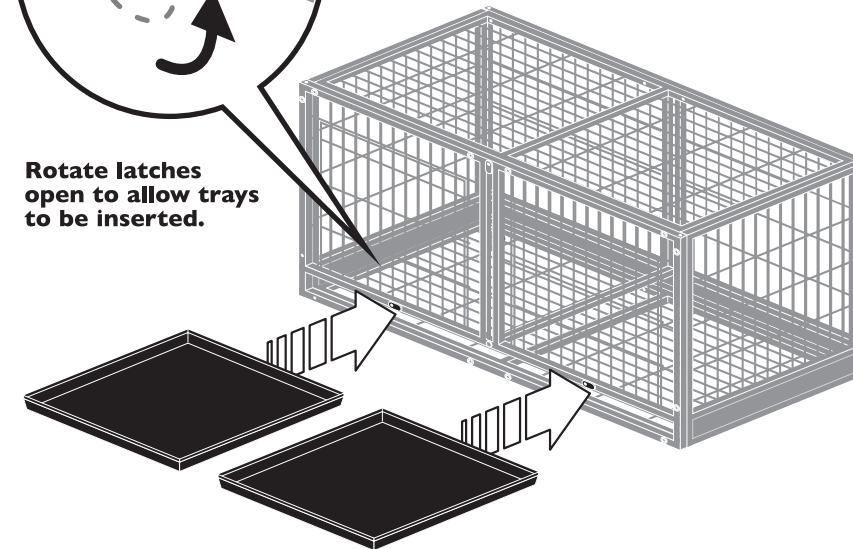


Step 5:
Flip cage right side up with casters facing down. Lower ceiling into frame and attach with 8 hex bolts.

Step 5a:
If stacking two cages on top of one another, insert double-ended bolts into top corners of cage frame before placing second cage into place.



Rotate latches open to allow trays to be inserted.



Step 6:
Slide trays into place, and place floor grate above each tray.
Step 6a:
Insert divider panel into middle of cage to create two smaller cages.

Care Instructions:

Clean with a mild soap cleaner. Do not use harsh or abrasive cleaners, bleach, or tools with metal or textured parts. These can scratch or damage the finish.